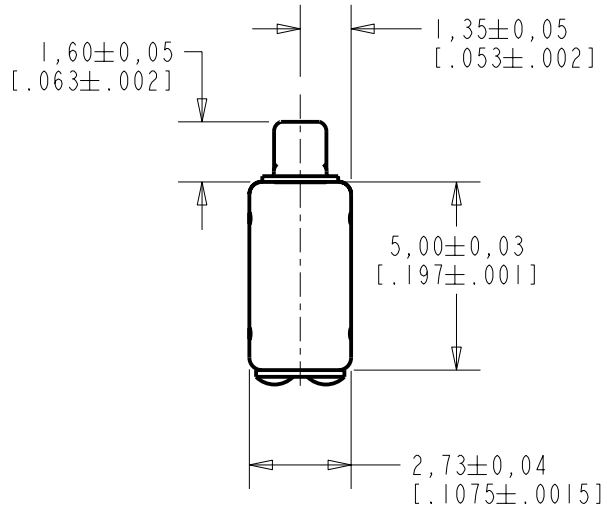
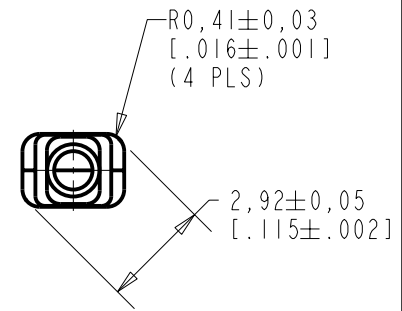
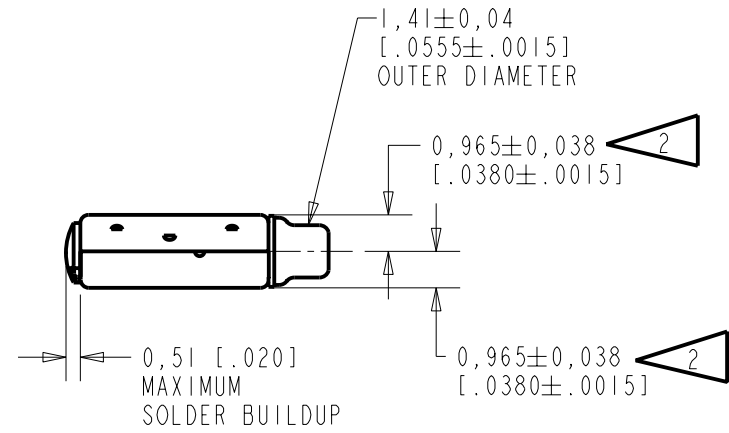
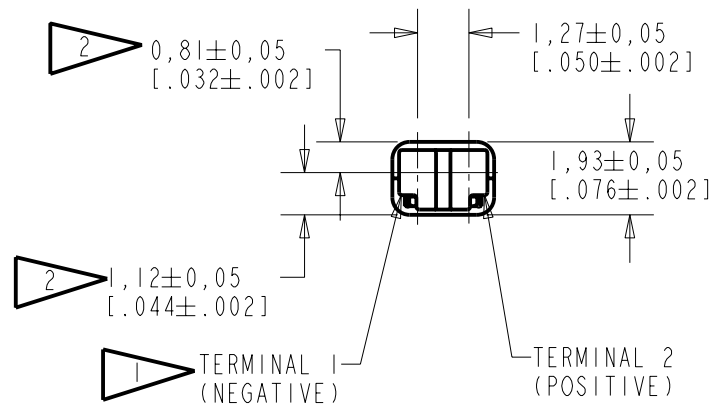


**FK-23451-000**  
SHT 1.1



NOTES:

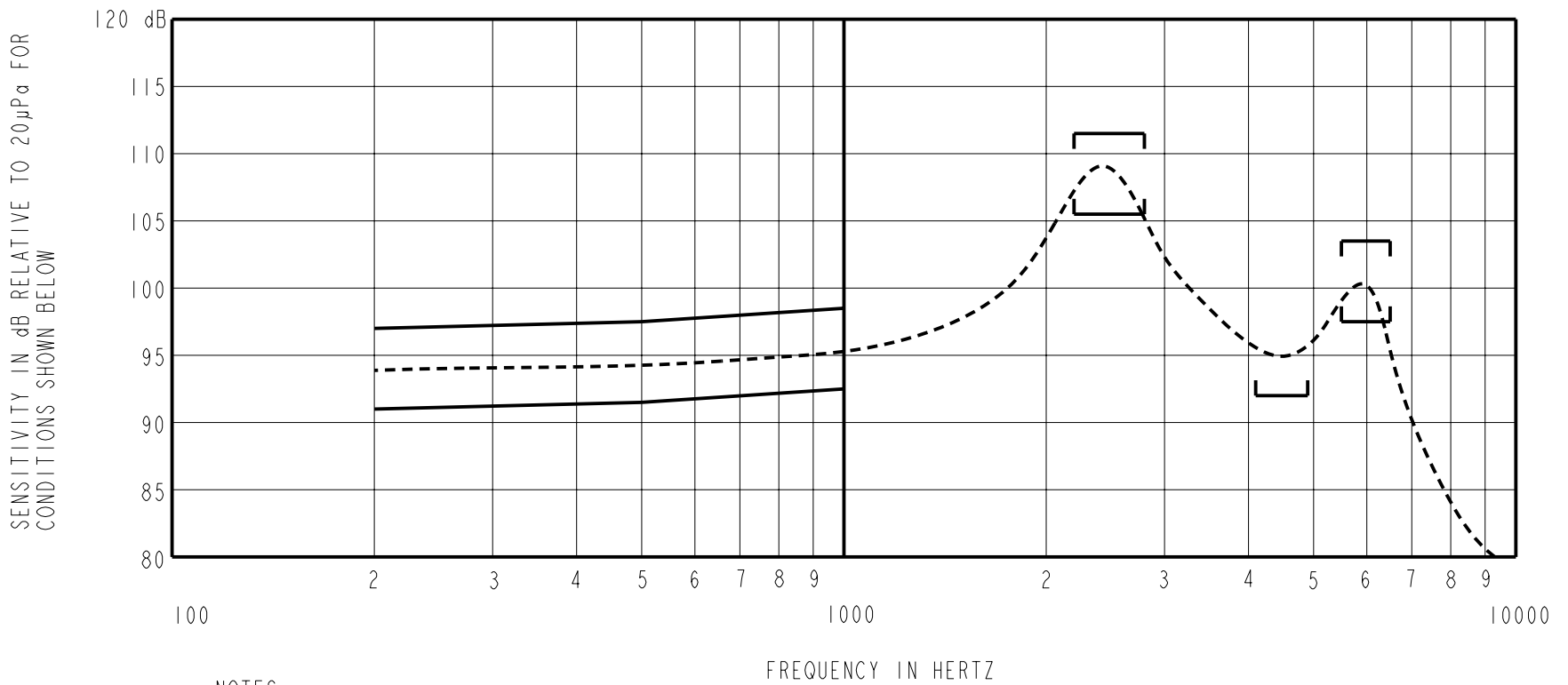
- 1 A POSITIVE GOING VOLTAGE AT TERMINAL 2, RELATIVE TO TERMINAL 1, CAUSES A DECREASE IN PRESSURE AT THE SOUND OUTLET.
- 2 LOCATED FROM TWO SURFACES FOR CUSTOMER CONVENIENCE. ONLY APPLICABLE FROM ONE SURFACE, NOT TO BE USED TOGETHER.



SCALE 2:1 DIMENSIONS IN MILLIMETERS [INCHES]

**KNOWLES ELECTRONICS**  
ITASCA, ILLINOIS U.S.A.

Revision	C.O. #	Implementation Date	RELEASE LEVEL	REVISION
B	CI0103994	3-22-06	Released	B
A	CI0103113	9-6-05		
SCALE: 5:1			DR. BY: MMM	DATE: 9-6-05
DO NOT SCALE DRAWING			CK. BY: GJP	DATE: 9-12-05
TITLE: RECEIVER		FK-23451-000		APP. BY: GJP
OUTLINE DRAWING		SHT 1.1		DATE: 9-12-05



NOTES:

1. MEASUREMENTS MADE USING 10mm (.394") OF 1mm (.039") ID TUBE CONNECTED TO A SIMULATED ANSI S3.3-1960 TYPE HA-3 COUPLER. (T3420 AND B&K DB0138)

2. SENSITIVITY

FREQUENCY	MIN.	MAX.
200	91.0	97.0
500	91.5	97.5
1000	92.5	98.5
2200-2800	105.5	111.5
4100-4900	92.0	---
5500-6500	97.5	103.5

- 3. RESPONSE, IMPEDANCE, AND DISTORTION MEASUREMENTS MADE USING THE ELECTRICAL TEST CONDITIONS SHOWN BELOW.
- 4. ELECTRICAL SOURCE IMPEDANCE MUST BE GREATER THAN 20 TIMES 1kHz IMPEDANCE FOR TEST CONDITIONS SHOWN BELOW.
- 5. INDIVIDUAL SPECIFICATIONS.

PORT LOCATION	IMPEDANCE OHMS ±15%		DCR @20°C OHMS ±10%	DISTORTION		ELECTRICAL TEST CONDITIONS	
	1KHz	500Hz		MAX. %	FREQ Hz	AC mA RMS	DC mA
12S	630	450	360	5	800	0.50	0.00

Revision	C.O. #	Implementation Date	RELEASE LEVEL	REVISION
B	C10103994	3-22-06	<b>Released</b>	<b>B</b>
A	C10103113	9-6-05		
WHEN TEST LIMITS ARE USED TO ESTABLISH INCOMING INSPECTION ACCEPTANCE/REJECTION CRITERIA, CORRELATION OF TEST EQUIPMENT WITH KNOWLES IS ALSO REQUIRED FOR ELIMINATION OF EQUIPMENT AND TEST METHOD VARIATION				
TITLE: <b>RECEIVER</b>			<b>FK-23451-000</b>	DR. BY DATE
PERFORMANCE SPECIFICATION			<b>SHT 2.1</b>	MMM 9-6-05
				CK. BY DATE
				GJP 9-12-05
				APP. BY DATE
				GJP 9-12-05

**KNOWLES ELECTRONICS**  
ITASCA, ILLINOIS U.S.A.